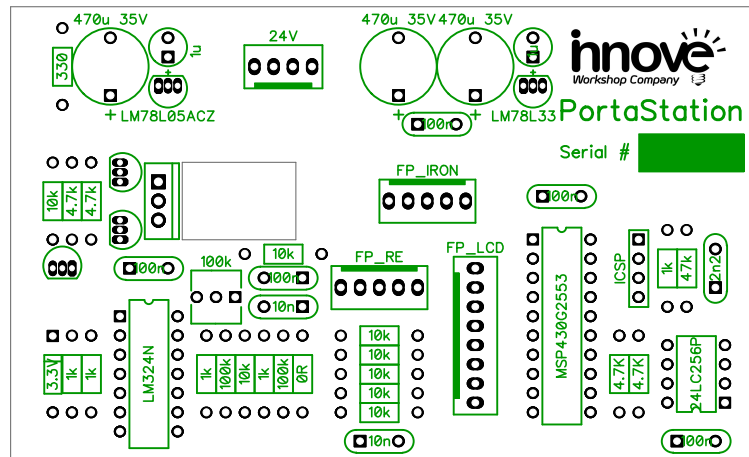


Description Control Board		
Project PortaStation		Rev A
Date 27 Aug 2017	Drawn by Nathan Campos	Sheet 1/2





Description Control Board (Component Values)		
Project PortaStation		Rev A
Date 27 Aug 2017	Drawn by Nathan Campos	Sheet 2/2

